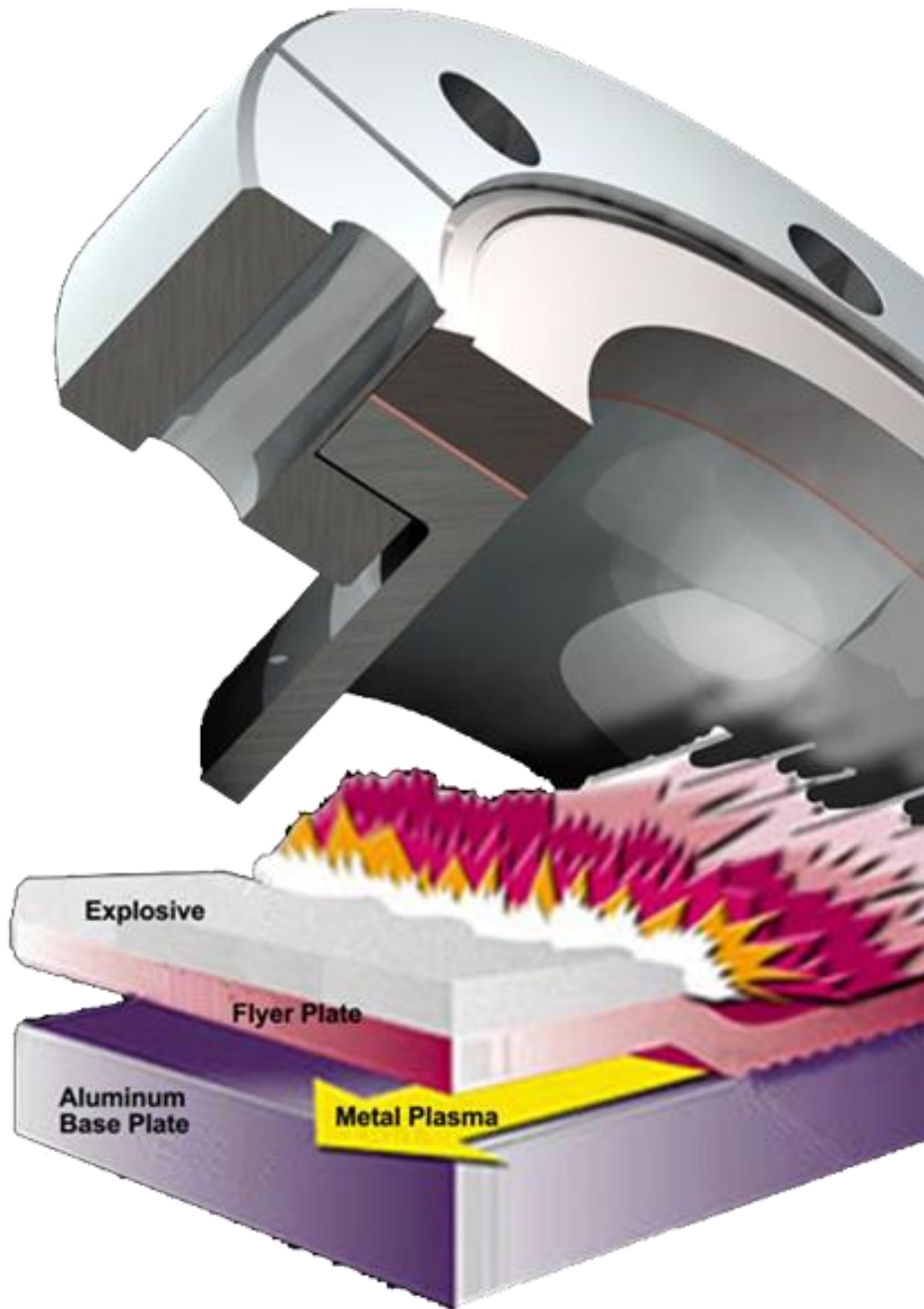


- Vital Technologies
  - [Explosion Bonding & Joining](#)



- [Bimetal CF Flanges](#)
- [Atlas Bimetal Al/SS CF Flange](#)
- [Atlas Bimetal Al/Ti CF Flange](#)



*Patented bimetal technology expands the possibilities of materials and applications of UHV in all industries.*

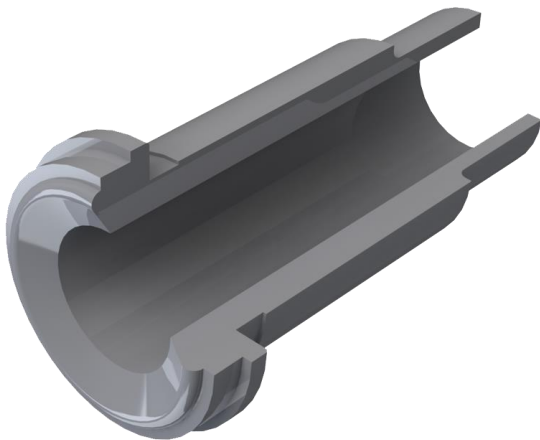
- **Bimetal Face Seal Glands**
- **[Aluminum Face Seal ATRC Fitting](#)**



- **All Titanium CF Flanges**



- [All Titanium Face Seal TiCR Fitting](#)



- **Bimetal Transition Couplings**
- **[Bimetal Tube & Pipe Fittings](#)**

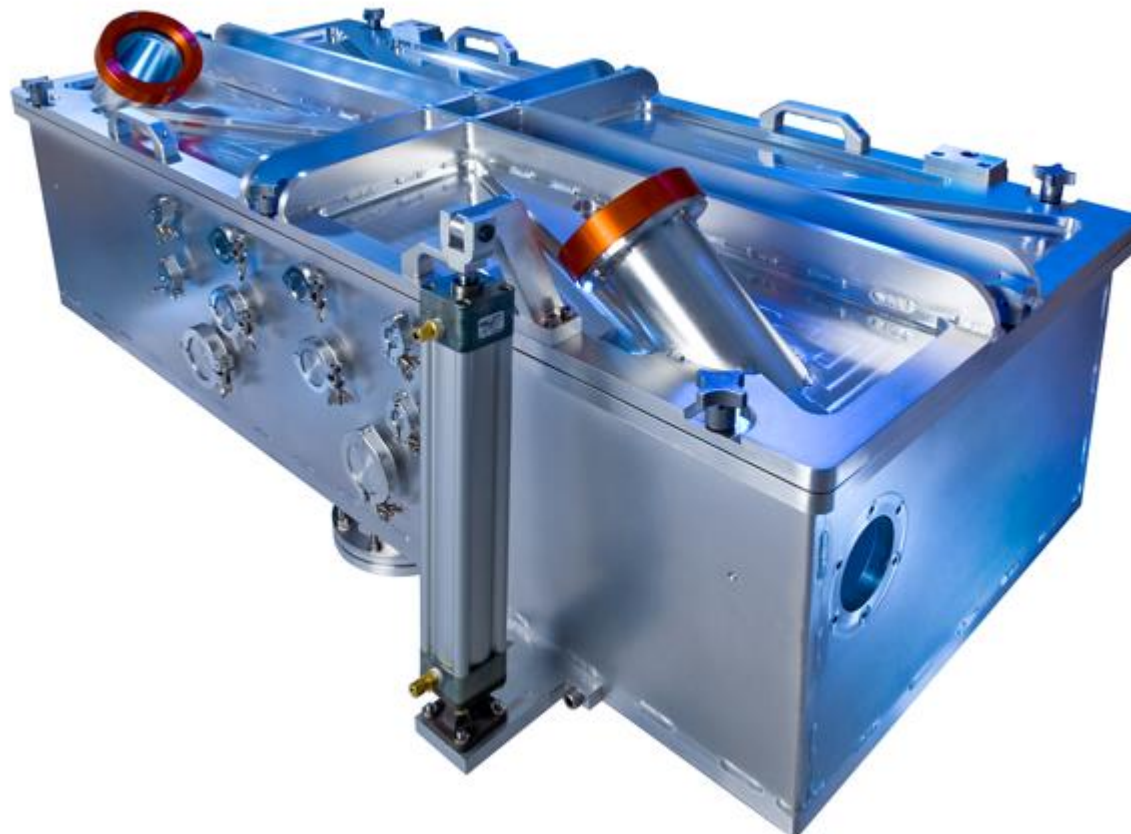


**New Product Capability**

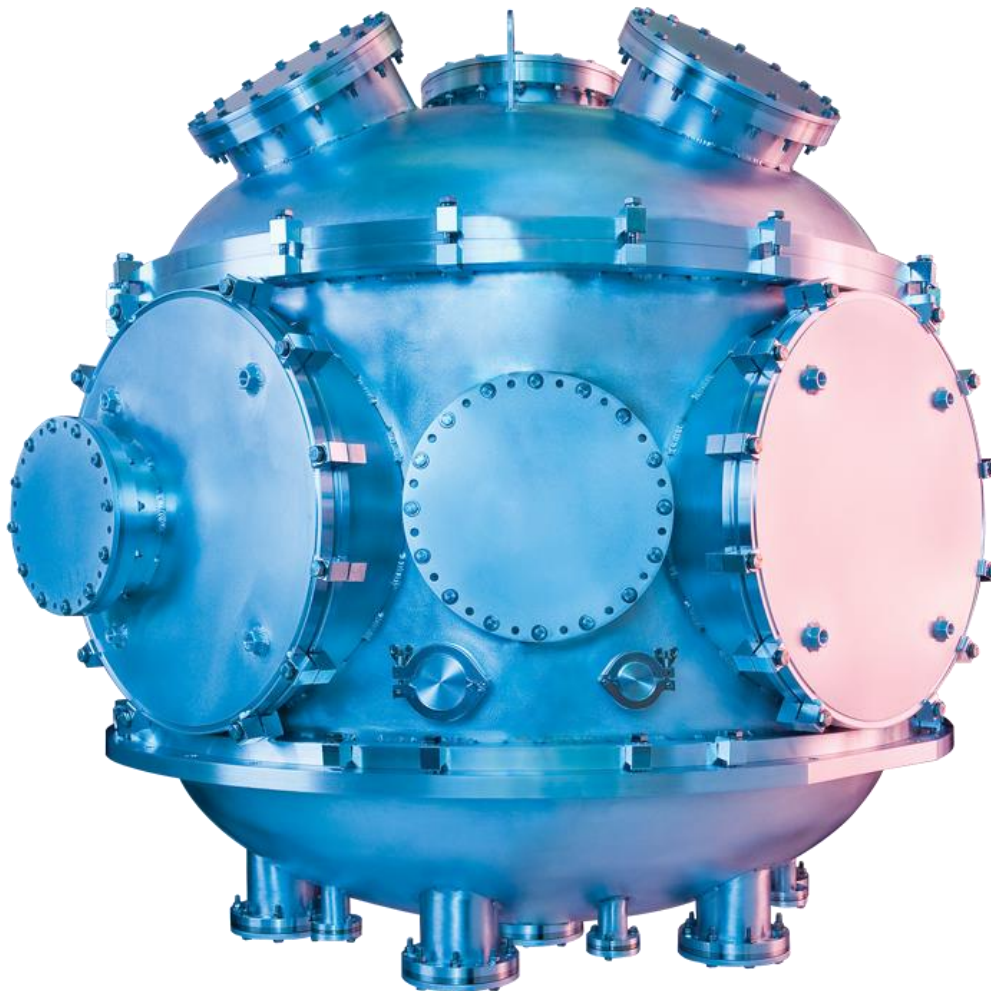
**All Titanium Spherical Interface**



**Aluminum Vacuum Vessels with Pneumatic Actuated Access Door**



**Large Aluminum Vacuum Vessel  
With Wire Seal Flanges**

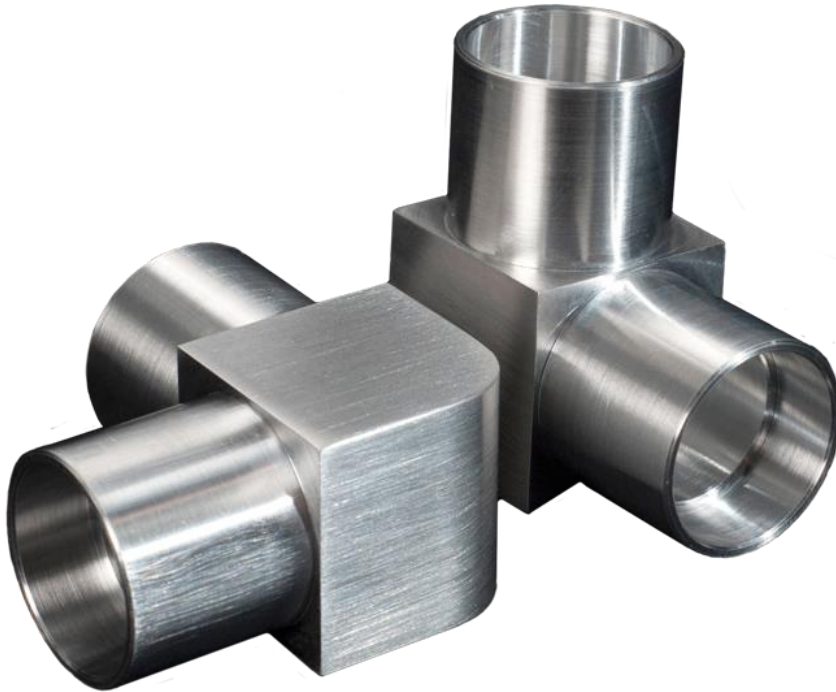




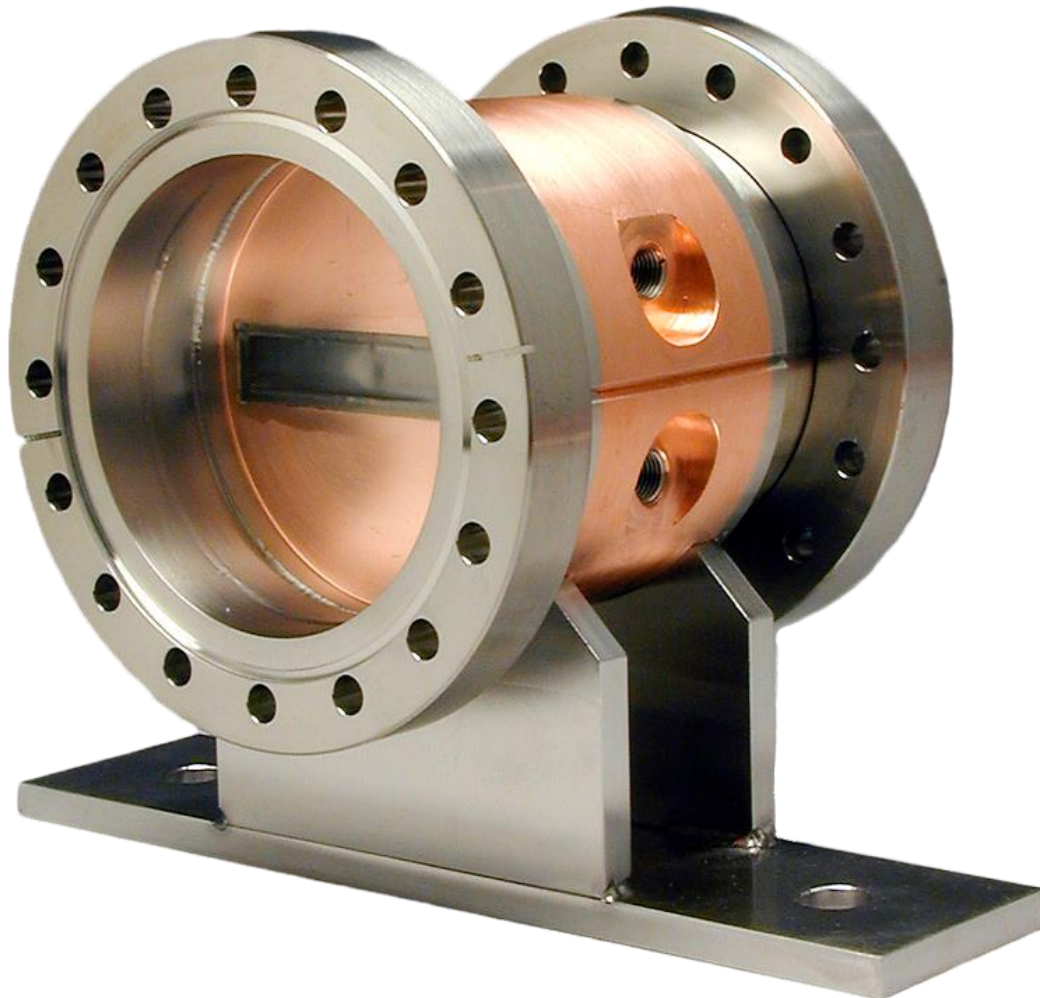
**Bi-Metal Aluminum Titanium Flanges. Matches the CTE between Aluminum Vessel & Titanium Interface.**



- **Tube, Elbows, Tees and Crosses**



- **Water Cooled Beryllium Windows**



### **Copper Gasket**

- **Vacuum Knife-Edge Seal Outside**
- **Inside Atlas RF Seals**

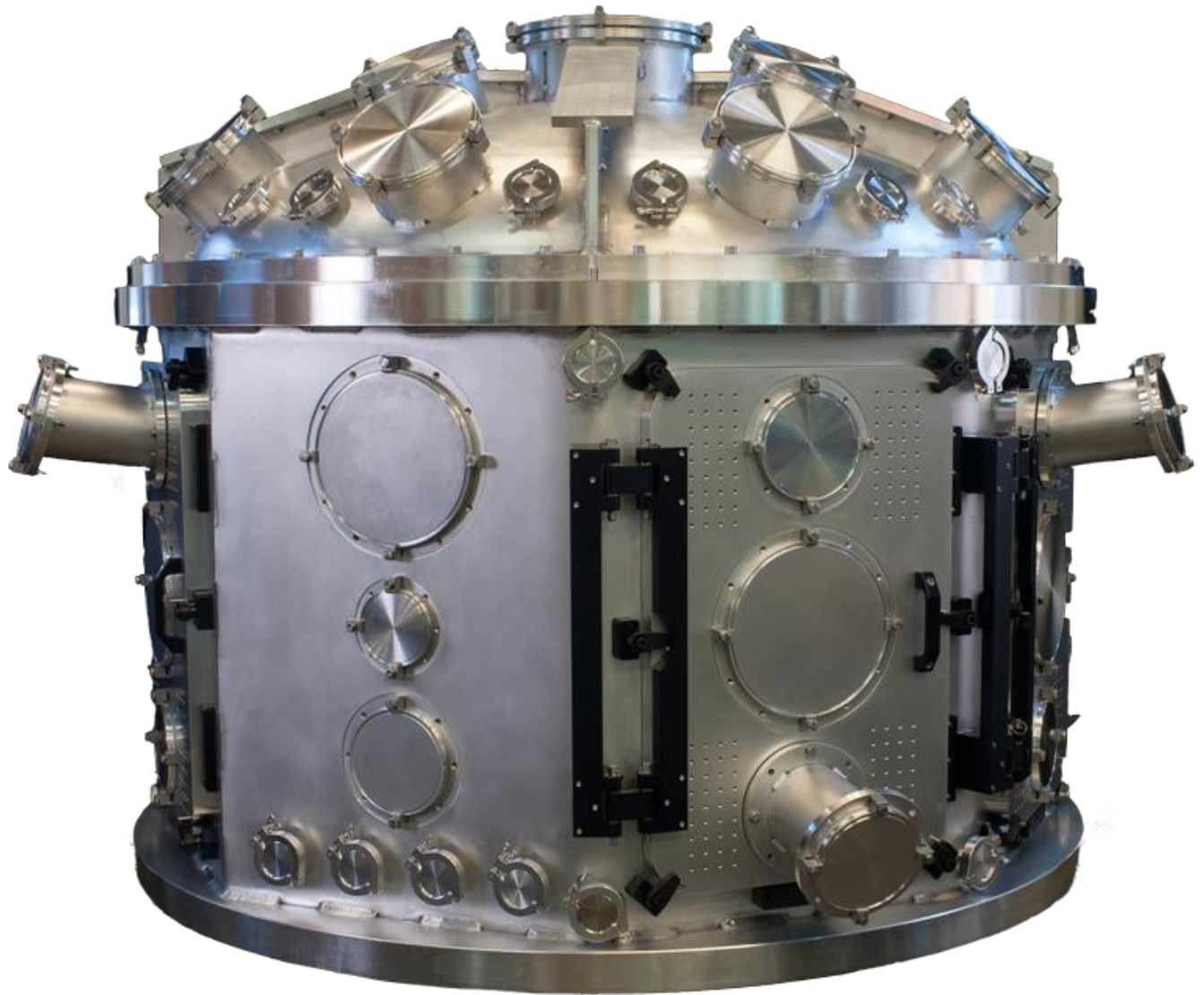


**Aluminum Large Focal Bread-Board Intersection Vacuum Vessel  
with Hinging Access Doors**

---

**Atlas Technologies** • 305 Glen Cove Road • Port Townsend, WA 98368 • USA

Phone: (360) 385-3123 • FAX: (360) 379-5220 • Web: [www.AtlasUHV.com](http://www.AtlasUHV.com) • Email: [info@AtlasUHV.com](mailto:info@AtlasUHV.com)



**Large Aluminum Foil Flange,  
Eliminates the High Cost of Beryllium**

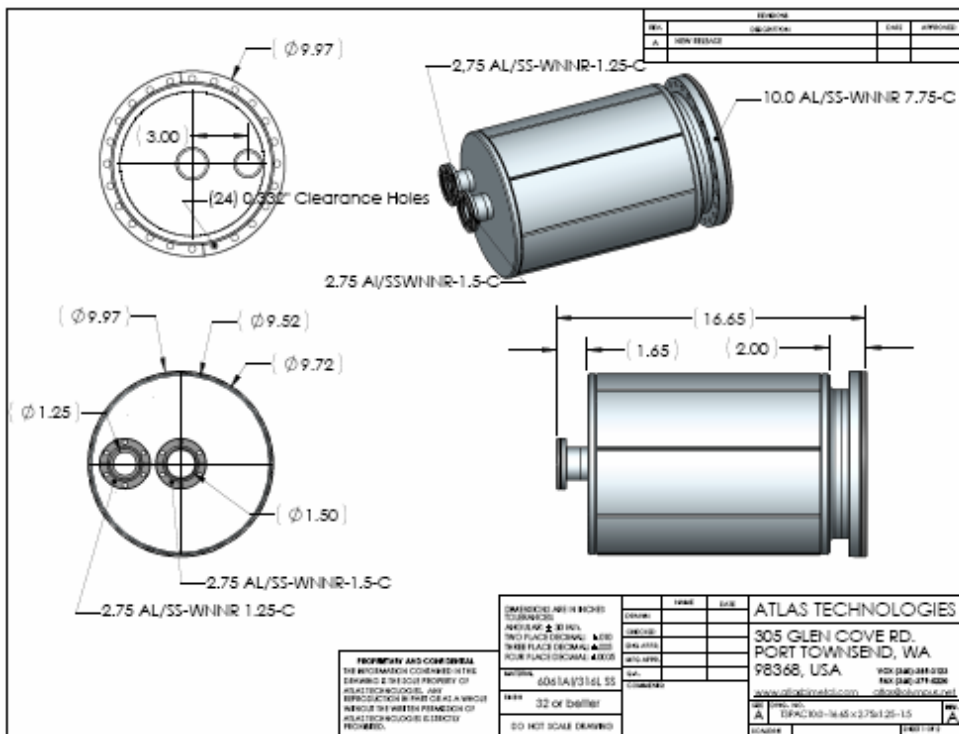
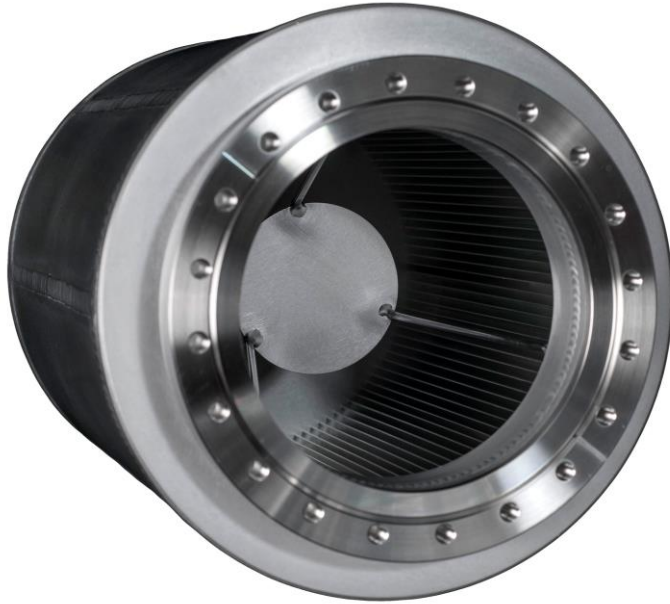
---

**Atlas Technologies** • 305 Glen Cove Road • Port Townsend, WA 98368 • USA

Phone: (360) 385-3123 • FAX: (360) 379-5220 • Web: [www.AtlasUHV.com](http://www.AtlasUHV.com) • Email: [info@AtlasUHV.com](mailto:info@AtlasUHV.com)



**Water Cooled High Capacity Aluminum  
Titanium Sublimation Pump TSP**



## Large Diameter One Piece, Water-Cooled, Aluminum Neutron Window



## Ultra-High Vacuum Aluminum Bending Magnet Vacuum Vessels



